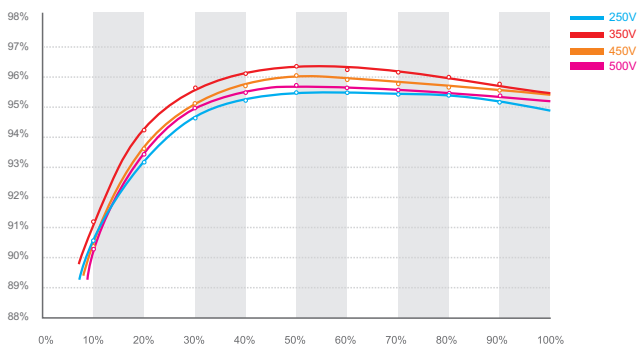


Leading - edge Technology

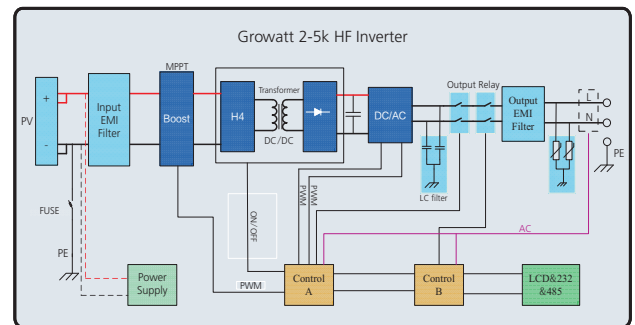
- ▶ Maximum efficiency of 96.5% and wide input voltage range
- ▶ DC switch optional
- ▶ High frequency
- ▶ Compact design
- ▶ MTL - String
- ▶ Ethernet / RF technology / Wi-Fi
- ▶ Sound control
- ▶ Fanless cooling concept
- ▶ Easy installation
- ▶ High reliability



Growatt 3000 HF efficiency



Growatt 2-5k HF topology



Datasheet	Growatt 2000HF	Growatt 3000HF	Growatt 5000HF
Input Data			
Max. recommended PV power (for module STC)	2300W	3500W	5500W
Max. DC voltage	600V	600V	600V
Start voltage	150V	150V	150V
PV voltage range	100V - 600V	100V - 600V	100V - 600V
MPP work voltage range /nominal voltage	120V - 600V/380V	120V - 600V/380V	120V - 600V/410V
Full load dc voltage range	195V - 480V	250V - 480V	230V - 480V
Max. input current	12A	15A	24A
Max. input current/per string	12A	15A	24A
Number of independent MPP trackers/strings per MPP tracker	1 / 2	1 / 2	2 / 1
Output (AC)			
Rated AC output power	2000W	3000W	5000W
Max. AC power	2000W	3000W	5000W
Max. output current	10A	14.3A	23A
AC nominal voltage; range	220V,230V,240V; 180Vac-280Vac	220V,230V,240V; 180Vac-280Vac	220V,230V,240V; 180Vac-280Vac
AC grid frequency; range	50,60Hz;±5Hz	50,60Hz;±5Hz	50,60Hz;±5Hz
Power factor	>0.99	>0.99	>0.99
THDI	<3%	<3%	<3%
AC connection	Single phase	Single phase	Single phase
Efficiency			
Max. efficiency	96.3%	96.5%	96.5%
Euro-eta	95.5%	95.5%	95.5%
MPPT efficiency	99.5%	99.5%	99.5%
Protection devices			
DC reverse polarity protection	yes	yes	yes
DC switch for each MPPT	opt	opt	opt
Output over current protection	yes	yes	yes
Output overvoltage protection-varistor	yes	yes	yes
Ground fault monitoring	yes	yes	yes
Grid monitoring	yes	yes	yes
Integrated all-pole sensitive leakage current monitoring unit	yes	yes	yes
General Data			
Dimensions (W / H / D) in mm	386/362/154 mm	386/362/154 mm	362/474/195 mm
Weight	13.6kg	13.6kg	20kg
Operating temperature range	- 25°C ... +60°C with derating above 45°C	- 25°C ... +60°C with derating above 45°C	- 25°C ... +60°C with derating above 45°C
Noise emission (typical)	≤25 dB(A)	≤25 dB(A)	≤25 dB(A)
Self-Consumption (night)	< 0.5 W	< 0.5 W	< 0.5 W
Topology	Transformer	Transformer	Transformer
Cooling concept	Natural	Natural	Natural
Environmental Protection Rating	IP65	IP65	IP65
Altitude	2000m(6560ft) without derating	2000m(6560ft) without derating	2000m(6560ft) without derating
Relative Humidity	100%	100%	100%
Features			
DC connection	H4/MC4(opt)	H4/MC4(opt)	H4/MC4(opt)
AC connection	Connector	Connector	Connector
Display	LCD	LCD	LCD
Interfaces: RS232 / RF / WiFi / LAN / GPRS	yes / opt / opt / opt / opt	yes / opt / opt / opt / opt	yes / opt / opt / opt / opt
Warranty: 5 years / 10 years	yes / opt	yes / opt	yes / opt
Certificates and Approvals			