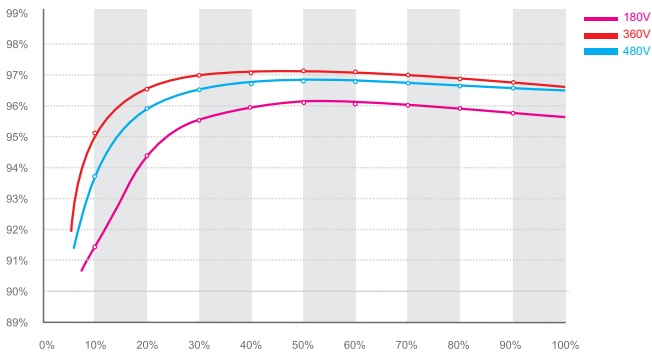


Leading - edge Technology

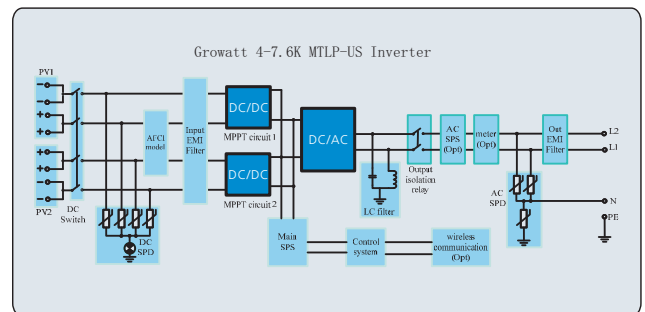
- ▶ Maximum efficiency of 97.5% and wide input voltage range
- ▶ Internal DC switch
- ▶ Transformerless GT topology
- ▶ Compact design
- ▶ Multi MPP tracker
- ▶ Sound control
- ▶ Easy installation
- ▶ MTL - String
- ▶ Ethernet / RF technology / WiFi
- ▶ Reactive power control



Growatt 6000MTLP-US efficiency



Growatt 4-7.6K MTLP-US topology



Datasheet

	Growatt 4000 MTLP-US	Growatt 5000 MTLP-US	Growatt 6000 MTLP-US	Growatt 7000 MTLP-US	Growatt 7600 MTLP-US
--	----------------------	----------------------	----------------------	----------------------	----------------------

Input Data

Max. power per MPPT	4000/4000W	5000/5000W	6000/6000W	7000/4800W	7600/4800W
Max. usable input current per MPPT	18A/18A	18A/18A	18A/18A	20A/10A	20A/10A
Max. short circuit input current per inverter	42A	47A	56A	47A	47A
Startup voltage	150V	150V	150V	150V	150V
Max. voltage	600V	600V	600V	600V	600V
DC nominal voltage MPPT tracker	360V	360V	360V	360V	360V
DC voltage range	100-600V	100-600V	100-600V	100-600V	100-600V
MPP operating voltage range	120-500V	120-500V	120-500V	120-500V	120-500V
Number of MPPT	2	2	2	2	2
Inputs per MPPT	2/2	2/2	2/2	2/1	2/1

Output data

Nominal output power	4000W	5000W	6000W	7000W	7600W
Max. Continuous output current	16.7A	21A	25A	29A	31.7A
Peak efficiency	97.2%	97.5%	97.5%	97.4%	97.3%
CEC weighted efficiency	96%	96.5%	96.5%	97%	97%
Max. over current protection device	21A	26A	31A	36A	40A
Operating frequency/range	60/59.5~60.5	60/59.5~60.5	60/59.5~60.5	60/59.5~60.5	60/59.5~60.5
Default voltage type	240V split phase	240V split phase	240V split phase	240V split phase	240V split phase
Operating voltage range	211~264V	211~264V	211~264V	211~264V	211~264V
Optional voltage type			208V/240V/277V single phase		
Optional operating voltage range			183~228@208V/211~264V@240V/244~305@277V		
Ambient operating temperature range(full load)	-25°C~45°C (-13...+ 113°F)	-25°C~45°C (-13...+ 113°F)	-25°C~45°C (-13...+ 113°F)	-25°C~45°C (-13...+ 113°F)	-25°C~45°C (-13...+ 113°F)
AC nominal voltage; range	Default:240V split-phase, optional:208V & 240V & 277V single phase , 183-228@208V 211-264V@240V 244-305@277V				
Phase shift (cosΦ)	Default: 0.99, opt Reactive power adjust / range:-0.85~+0.85				
THDI	<3%	<3%	<3%	<3%	<3%

General Data

Integrated disconnect	DC disconnect	DC disconnect	DC disconnect	DC disconnect	DC disconnect
DC reverse polarity protection	yes	yes	yes	yes	yes
Output overvoltage protection-varistor	yes	yes	yes	yes	yes
Output over current protection	yes	yes	yes	yes	yes
Ground fault monitoring for Split phase	yes	yes	yes	yes	yes
Grid monitoring	yes	yes	yes	yes	yes
Integrated all - pole sensitive leakage current monitoring unit	yes	yes	yes	yes	yes
Compliant to UL 1699B	yes	yes	yes	yes	yes

Features

Dimensions(W* H*D)	28.74*15.75*8.46in	28.74*15.75*8.46in	28.74*15.75*8.46in	28.74*15.75*8.46in	28.74*15.75*8.46in
Weight	31.5kg/69.4Lb	31.5kg/69.4Lb	32kg/70.5Lb	32kg/70.5Lb	32kg/70.5Lb
Enclosure	NEMA 4X	NEMA 4X	NEMA 4X	NEMA 4X	NEMA 4X
Cooling concept	natural cooling	natural cooling	natural cooling	natural cooling	natural cooling
Topology	Transformer-less	Transformer-less	Transformer-less	Transformer-less	Transformer-less
Relative humidity	100%	100%	100%	100%	100%
Altitude			Up to 2000m(6560ft) without power de-rating		
Noise emission (typical)	≤ 25 dB(A)	≤ 25 dB(A)	≤ 25 dB(A)	≤ 25 dB(A)	≤ 25 dB(A)
Consumption: standby	<5W	<5W	<5W	<5W	<5W
Revenue Grade Meter	opt	opt	opt	opt	opt
Display	LCD	LCD	LCD	LCD	LCD
RS485/ShineLink RF/Wifi/Ethernet/Zigbee/Cellular	yes/yes/opt/opt/opt/opt/opt	yes/yes/opt/opt/opt/opt/opt	yes/yes/opt/opt/opt/opt/opt	yes/yes/opt/opt/opt/opt/opt	yes/yes/opt/opt/opt/opt/opt
Warranty: 5years/10years/15years	yes/yes/opt	yes/yes/opt	yes/yes/opt	yes/yes/opt	yes/yes/opt

Certificates and Approvals

UL1741,UL1998 ,IEEE 1547, CSA C22.2 No.107.1-1,FCC Part15(Class A&B),UL1699B