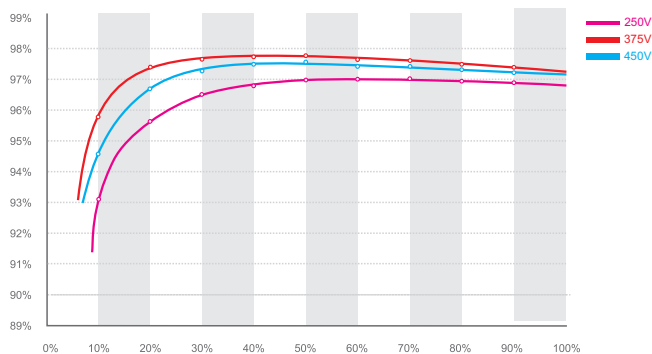


Leading - edge Technology

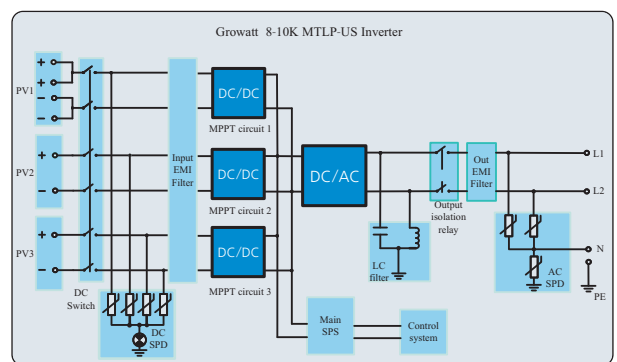
- ▶ Maximum efficiency of 97.8% and wide input voltage range
- ▶ Internal DC switch
- ▶ Transformerless GT topology
- ▶ Compact design
- ▶ Multi MPP tracker
- ▶ Sound control
- ▶ Easy installation
- ▶ MTL - String
- ▶ Ethernet / RF technology / WiFi



Growatt 10000MTLP-US efficiency



Growatt 8-10K MTLP-US topology



Datasheet	Growatt 8000MTLP-US	Growatt 9000MTLP-US	Growatt 10000MTLP-US
Input Data			
Max. input power per MPP tracker	3250/3250/6500W	3250/3250/6500W	3250/3250/6500W
Max. DC voltage	600V	600V	600V
Start voltage	150V	150V	150V
DC rated voltage	360V	360V	360V
PV voltage range	100-600V	100-600V	100-600V
MPP voltage range	120-500V	120-500V	120-500V
Full load DC voltage range per MPP tracker	315-480V	315-480V	315-480V
Number of MPP trackers	3	3	3
strings per MPP tracker	1/1/2	1/1/2	1/1/2
Max. operating current per MPP tracker	9.5/9.5/19A	9.5/9.5/19A	9.5/9.5/19A
Output (AC)			
Nominal AC output power	8000W	9000W	10000W
Max. output current	33.5A	37.5A	42A
AC nominal voltage/range	208V / 183~229V 240V / 211~264V	208V / 183~229V 240V / 211~264V	208V / 183~229V 240V / 211~264V
AC grid frequency; range	60 Hz / 59.3~60.5 Hz	60 Hz / 59.3~60.5 Hz	60 Hz / 59.3~60.5 Hz
Power factor	1	1	1
THDI	<3%	<3%	<3%
AC connection	single phase	single phase	single phase
Efficiency			
Max. efficiency	97.8%	97.8%	97.8%
CEC-Weighted Efficiency	97%	97%	97%
MPPT efficiency	99.5%	99.5%	99.5%
Protectopm devices			
DC reverse-polarity protection	yes	yes	yes
Input over voltage protection-Varistor	opt	opt	opt
Arc detection(AFCI)	yes	yes	yes
DC insulation measure	yes	yes	yes
AC short circuit protection	yes	yes	yes
Output over voltage protection-Varistor	yes	yes	yes
General Data			
Dimensions (W / H / D)	14/27.3/8.3inch (355/694/210 mm)	14/27.3/8.3inch (355/694/210 mm)	14/27.3/8.3inch (355/694/210 mm)
Weight	30kg/66lb	30kg/66lb	30kg/66lb
Operating temperature range	-25..+60°C/(-13...+ 140°F)	-25..+60°C/(-13...+ 140°F)	-25..+60°C/(-13...+ 140°F)
Noise emission	< 25dB	< 25dB	< 25dB
Relative Humidity	0~100%	0~100%	0~100%
Altitude	2000m without derating	2000m without derating	2000m without derating
Consumption: operating (standby) / night	<5W / <0.5W	<5W / <0.5W	<5W / <0.5W
Topology	Transformerless	Transformerless	Transformerless
Cooling concept	natural cooling	natural cooling	natural cooling
Enclosure	NEMA 4X	NEMA 4X	NEMA 4X
Features			
Display	LCD	LCD	LCD
Interfaces: RS485/ShineLink RF/Wifi/Ethernet/Zigbee/Cellular	yes/yes/opt/ opt/opt/opt	yes/yes/opt/ opt/opt/opt	yes/yes/opt/ opt/opt/opt
Warranty: 5 years/10 years/15 years	yes/yes/opt	yes/yes/opt	yes/yes/opt

Certificates and Approvals

UL1741,UL1998,IEEE1547,FCC part 15(class B),CSA C22.2 No.107.1,UL1699B(type 1)